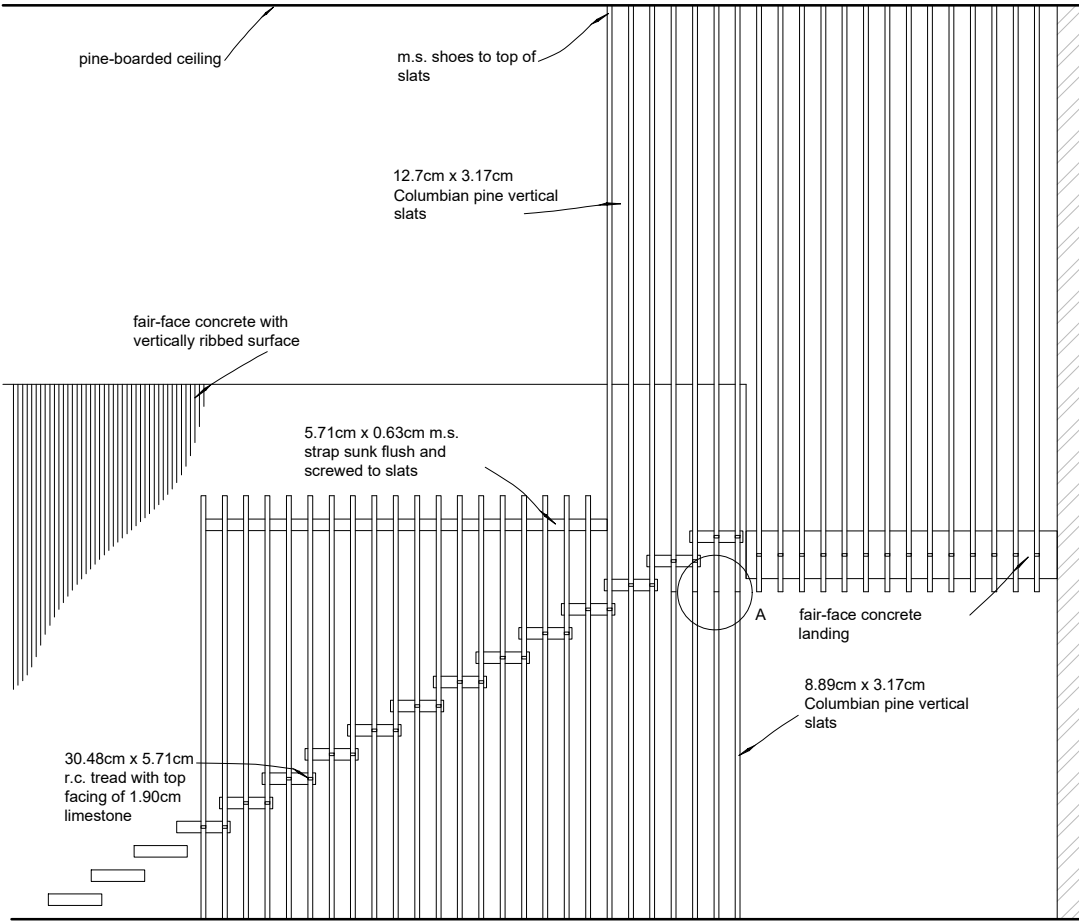
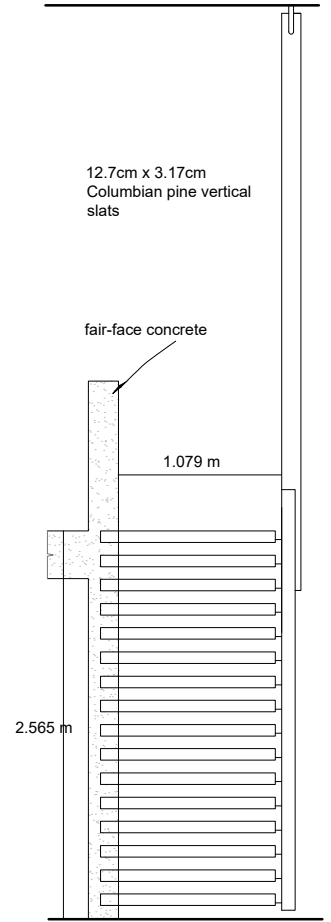


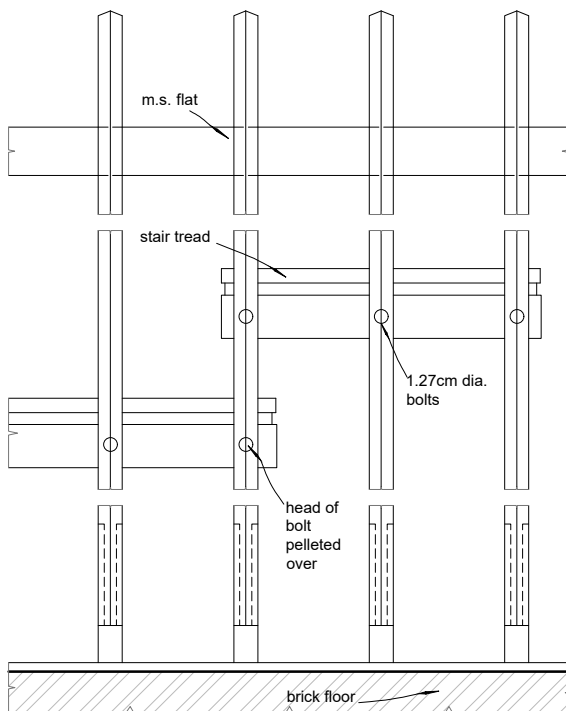
STAIRCASES



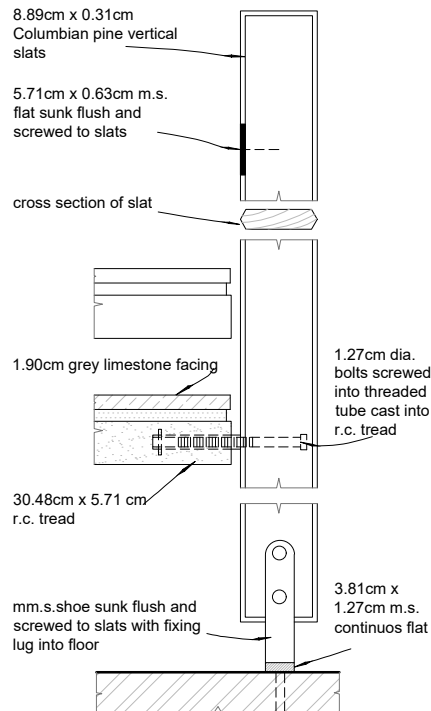
SIDE ELEVATION scale 1:50



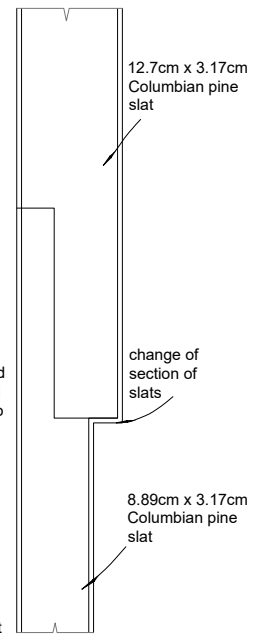
FRONT ELEVATION



FRONT ELEVATION OF SLATS. scale 1:25



SIDE ELEVATION OF SLATS.



DETAIL OF SLATS AT A. scale 1:25

note: figured dimensions are approximate